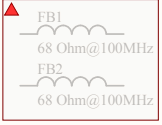
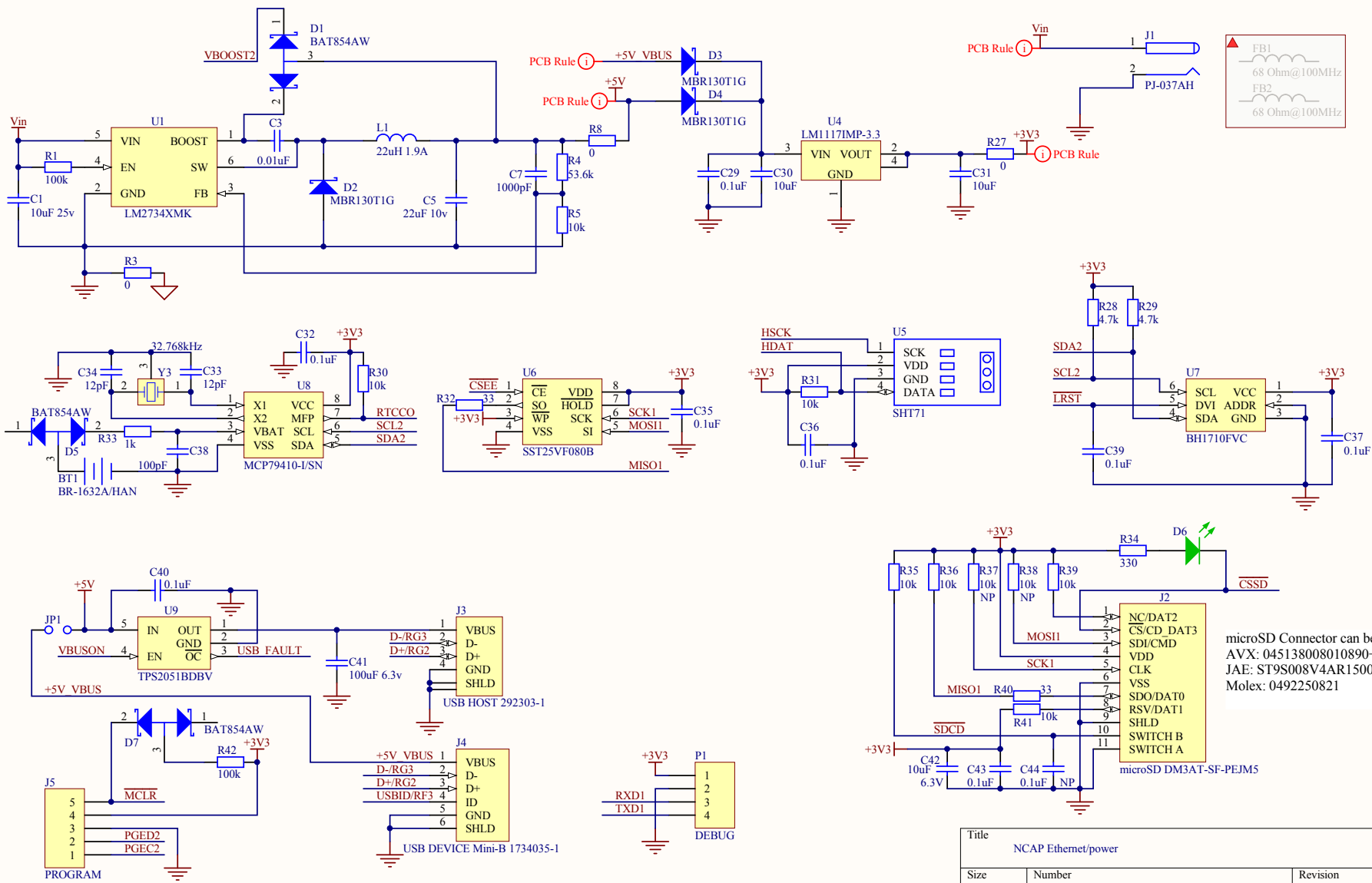


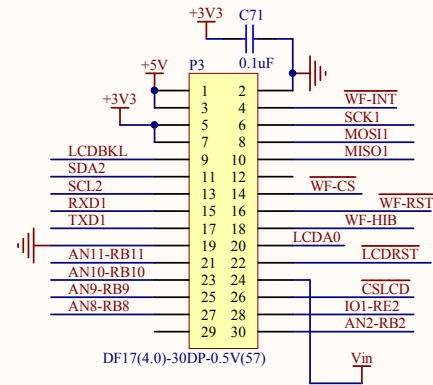
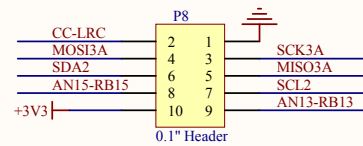
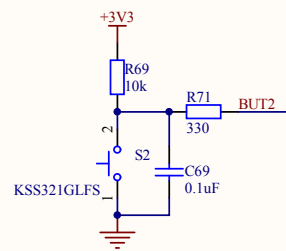
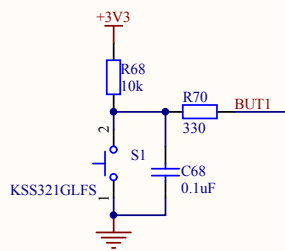
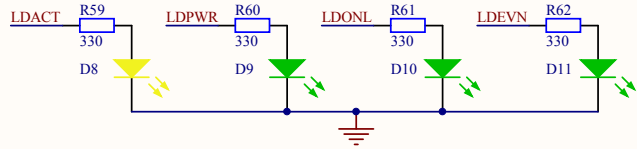
PIC32MX795F512L-80I/PT

Title			NCAP Ethernet/power		
Size	Number		Revision		
A4			Ver01		
Date:	8/9/2012		Sheet of		1
File:	C:\My Proj\EM08X LAN8702.SchDoc		Drawn By: Yuan Ma, Esensors Inc.		



microSD Connector can be:  
 AVX: 045138008010890+  
 JAE: ST9S008V4AR1500  
 Molex: 0492250821

Title		
NCAP Ethernet/power		
Size	Number	Revision
A4		Ver01
Date:	8/9/2012	Sheet of 2
File:	C:\My Prj\EM08X_PWR_USB_SD_Sch	Drawn By: Yuan Ma, Esensors Inc.



Title		
NCAP Ethernet/power		
Size	Number	Revision
A4		Ver01
Date:	8/9/2012	Sheet of 3
File:	C:\My Prj\EM08X_WiFi.SchDoc	Drawn By: Yuan Ma, Esensors Inc.

Assign  
Keepout  
Area to  
Cut-out

