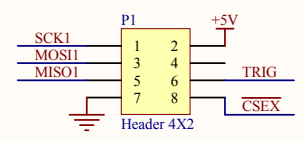
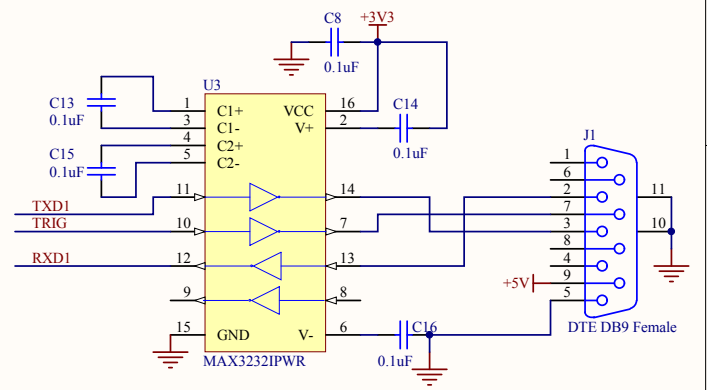
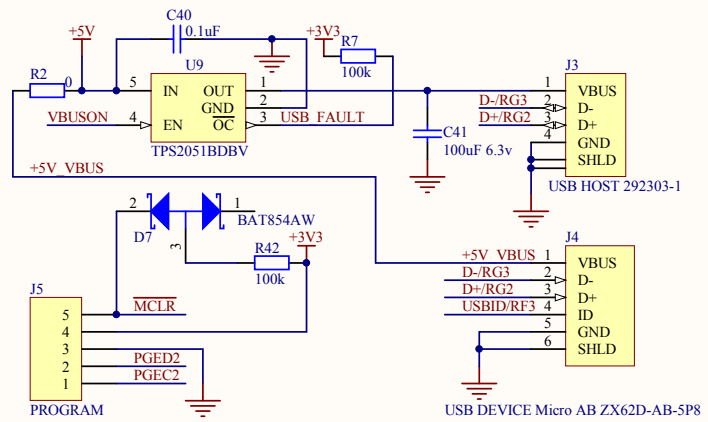
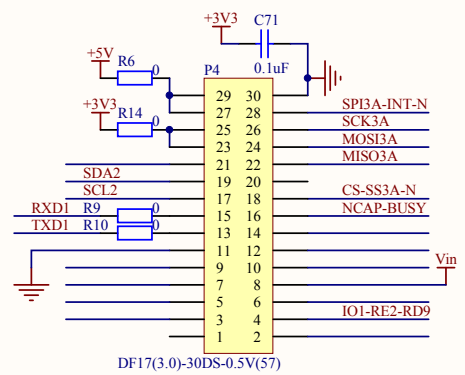
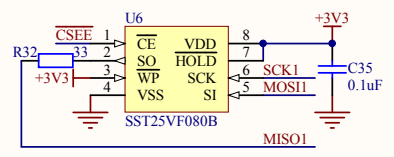
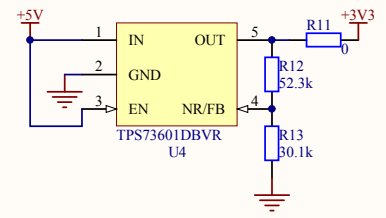
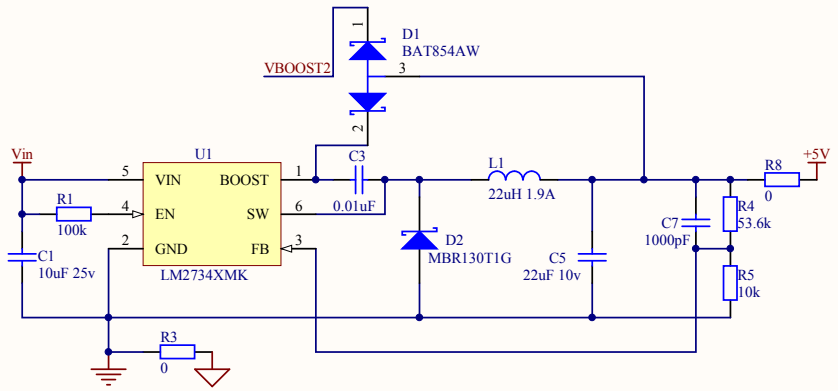


Title		Revision	
NCAP Main		Ver01	
Size	Number	Sheet	of
A4		1	1
Date:	8/9/2012	Sheet	of
File:	C:\My Prj\EM08F_MCU_WiFi.SchDoc	Drawn By:	Yuan Ma, Esensors Inc.



Title			NCAP Main		
Size	Number	Revision			
A4		Ver01			
Date:	8/9/2012	Sheet	of	2	
File:	C:\My Prj\EM08F_PWR_USB_SD.SchDoc		Drawn By:	Yuan Ma, Esensors Inc.	

